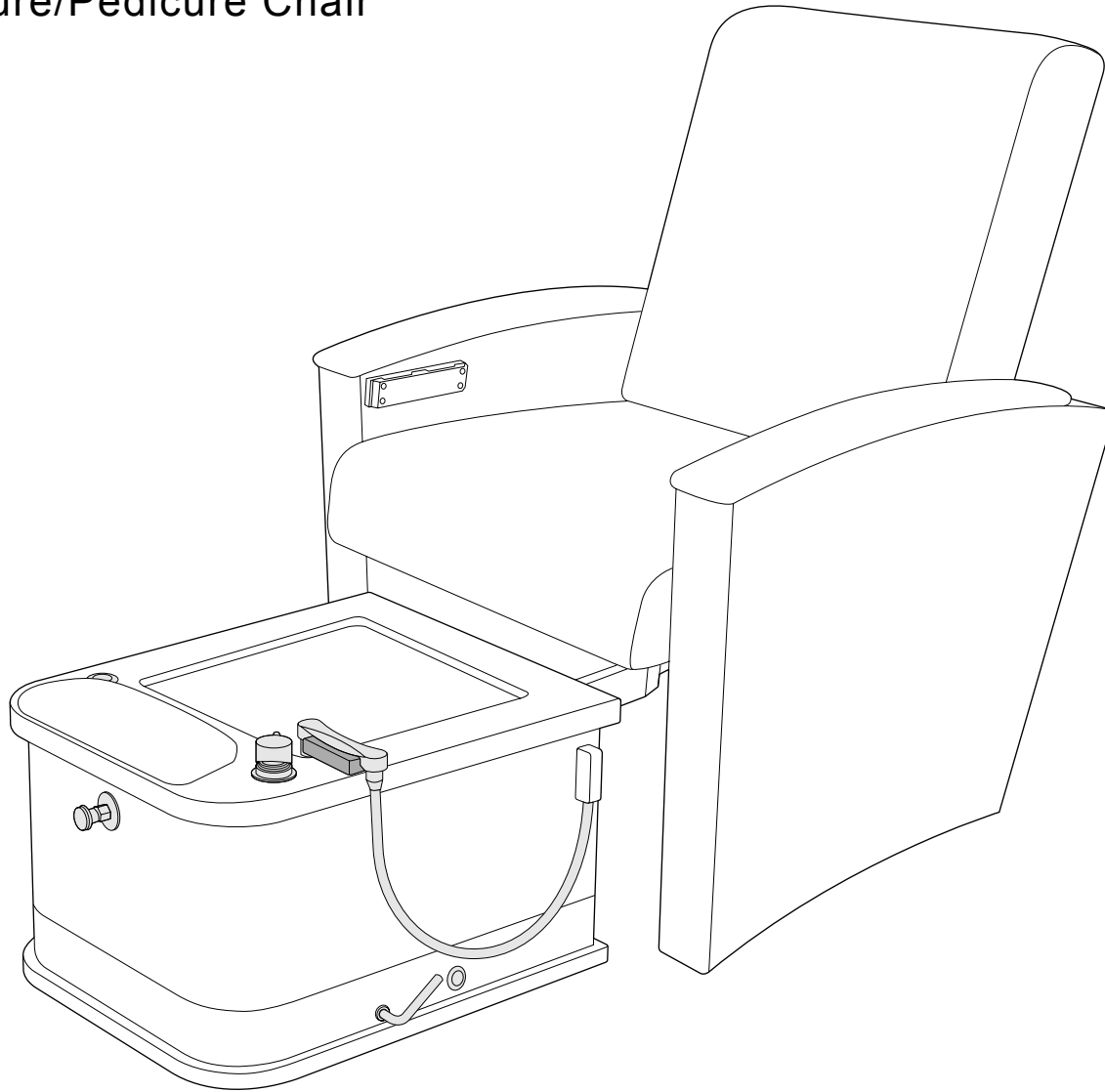




LIVING EARTH  
C R A F T S .

# USER MANUAL

## Mystia™ Manicure/Pedicure Chair



## Introduction

Congratulations on your purchase of the newest innovation in nail furniture! The Mystia™ Manicure/Pedicure Chair offers a fresh alternative to bulky traditional pedicure thrones. With the small footprint of a well-appointed manicure chair, the Mystia™ Chair slides smoothly back to convert into the finest pedicure system available with your choice of stainless steel or ThermaJet™ tub. LEC's master craftsmen hand-upholster this revolutionary, space-saving chair with generous layers of Strata™ Plus memory foam cushioning and silky Promessa™ upholstery.

Detailed instructions for use and maintenance can be found in this user manual. If you have further questions, please contact us via email or by phone at (800) 358-8292, or (760) 597-2155 Int'l.

## Owner's Record

Name:	_____
Purchase Date:	_____
Model No.	_____
Serial No.	_____

## Table of Contents

Safety Symbols .....	2
Safety Instructions .....	2
Warnings .....	2
Getting Familiar with your Chair and Foot Bath .....	3
Parts Check .....	4
Locking Casters .....	4
Rolling the Chair .....	4
Back Tilt .....	4
Manicure Tray .....	5
Foot Bath Operation .....	5
Foot Rest .....	5
Fill Valve .....	6
Drain .....	6
Discharge Pump .....	6
ThermaJet Technology .....	6
Jets .....	6
Lights .....	6
Maintenance .....	7
Maintaining the Foot Bath .....	7
Heat and Massage .....	8
<b>Technical Diagrams</b>	
Chair .....	9
Manicure Tray .....	9
Footprint with ThermaJet Foot Bath .....	10
ThermaJet Foot Bath .....	11
Footprint with Stainless Steel Foot Bath .....	12
Stainless Steel Foot Bath .....	13
Discharge Pump .....	14
Standard Care and Maintenance .....	15
Troubleshooting .....	15
Warranty .....	16
Contact Us .....	16

## Safety Symbols

Familiarize yourself with the following Safety & Warning symbols. They are designed to prevent damage and injury to you, your clients, and your new Living Earth Crafts product.

### DANGER



Indicates an imminently hazardous situation which will result in serious or fatal injury. This symbol is used only in the most extreme conditions.

### WARNING



Indicates a potentially hazardous situation which could result in serious injury.

### ALERT



Indicates a potentially hazardous situation which could result in equipment damage and/or injury.

### CAUTION



Indicates a potentially hazardous situation which may result in minor or moderate injury. This may also be used to alert against unsafe practices.

### ATTENTION



Consult accompanying documents.

## Safety Instructions

IMPORTANT SAFETY INSTRUCTIONS PERTAINING TO RISK OF FIRE, ELECTRIC SHOCK OR INJURY TO PERSONS

SAVE THESE INSTRUCTIONS

WARNING: When using this unit, basic precautions should always be followed, including the following:

READ AND FOLLOW ALL INSTRUCTIONS

- 1) WARNING: Risk of accidental injury or drowning: Children or handicapped persons should not use foot bath without adult supervision.
- 2) WARNING: To avoid injury, exercise care when using a foot bath.
- 3) WARNING: Risk of electric shock: Do not permit electric appliances (such as a hair dryer, lamp, telephone, radio, or television) to be within 5 ft (1.5m) of this unit.
- 4) DANGER: RISK OF ELECTRIC SHOCK: This unit should be grounded. Connect only to a dedicated 15 amp circuit that is protected by a Ground Fault Circuit Interrupter (GFCI). A GFCI should be provided by the electrician and should be tested on a routine basis. To test the GFCI, push the test button. The GFCI should interrupt power. Push the reset button. Power should be restored. If the GFCI fails to operate in this manner, there is a possibility of a ground fault, or defective GFCI. DO NOT USE THE UNIT. Have the problem corrected by a qualified service representative or an electrician before using.
- 5) WARNING: Use the Foot Bath only for its intended purpose: a fill and drain indoor appliance for foot and ankle hydro massage. DO NOT use attachments not recommended by manufacturer.
- 6) SAVE THESE INSTRUCTIONS.

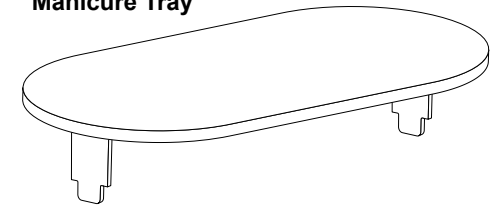
## WARNINGS

1. DO NOT reach for any electrical object that has fallen into water. Unplug immediately.
2. DO NOT drop or insert anything into any jet opening.
3. DO NOT operate without the complete jet assembly installed or without water filled 1 inch above the jets.
4. DO NOT overfill the basin.
5. DO NOT stand on or in the basin, or on the foot rest.
6. DO NOT leave this appliance unattended when in operation.
7. Keep the electrical cord away from heated surfaces.
8. Connect this appliance only to a properly grounded outlet.
9. To avoid injury, exercise care when entering or exiting the foot bath.
10. It is important that you clean and disinfect the jets and basin after every use.
11. Hydrotherapy should be pleasant and comfortable. Should you experience any pain or discomfort while using the foot bath, discontinue use immediately and consult your physician.
12. Consult your physician if you are diabetic, have poor circulation, or if your feet or legs are inflamed, have an open wound or if you have questions about whether you should be using hydro massage equipment.
13. A qualified plumber and electrician is recommended to install your Foot Bath.
14. Water supply temperature to the Foot Bath MUST NOT exceed 106° F (41° C). Water temperature in excess of 106° F (41° C) may be injurious to user's health. Check water temperature and adjust prior to use.

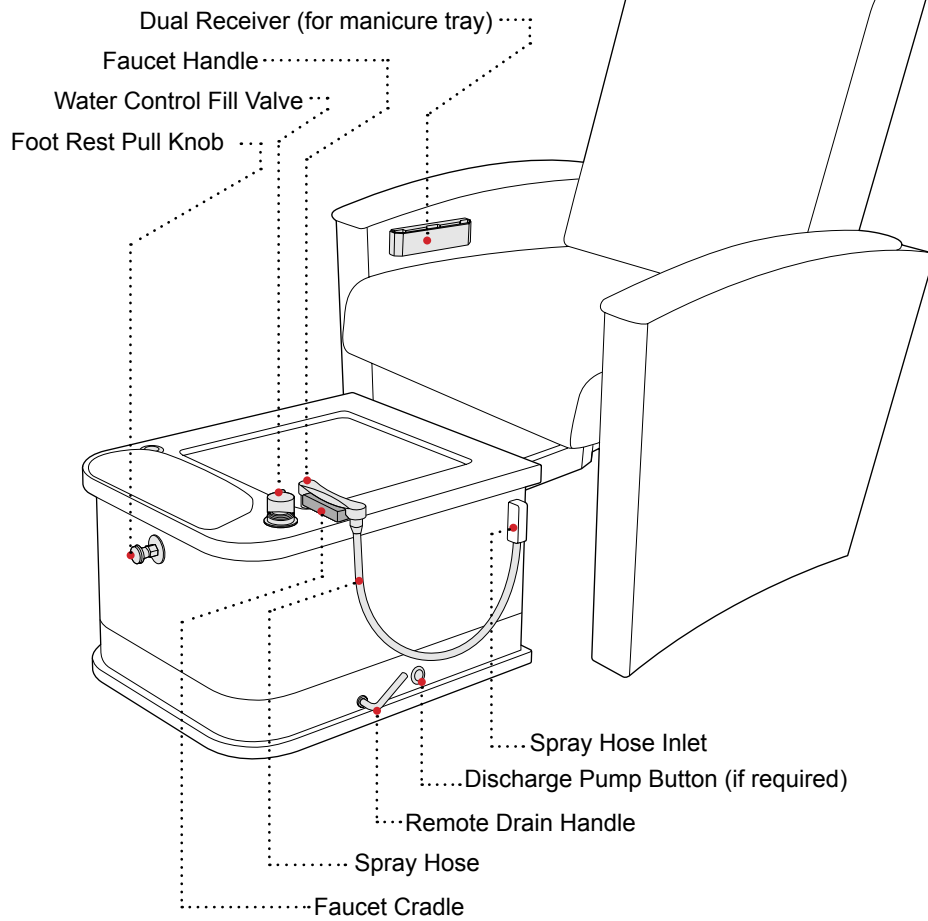
## Getting Familiar with your Mani/Pedi Chair and ThermaJet Tub

Familiarizing yourself with each component of your pedicure chair and tub will make for a more enjoyable experience for both you and your clients.

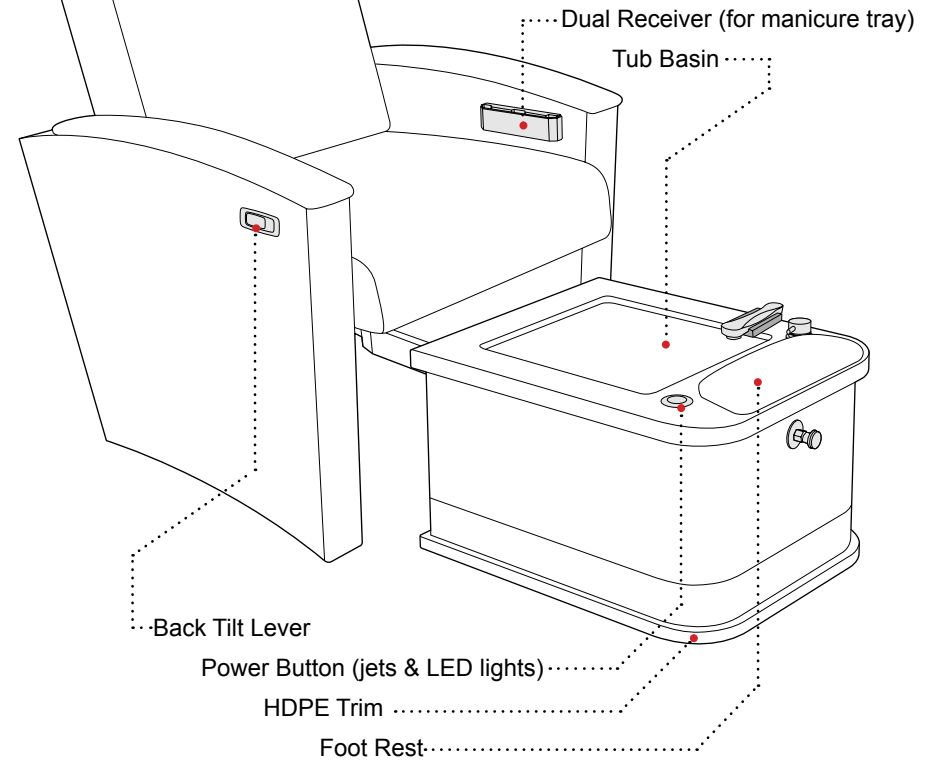
**Rounded  
Manicure Tray**



**Left Angle View**

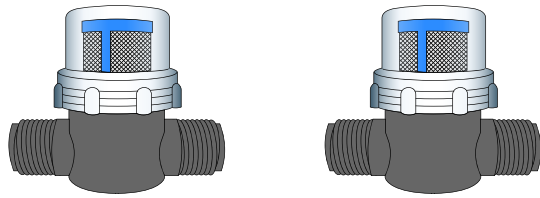


**Right Angle View**



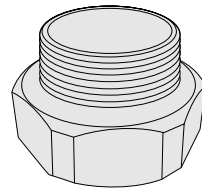
## Parts Check

Your Foot Bath ships with accompanying parts for installation purposes. Double check that all additional parts are present prior to installation.



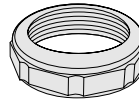
Screen Filters (2)

Screen filters are intended to be installed between the water lines and the hot and cold water hoses leading to the tub fill valve. When filters need cleaning, simply unscrew the clear cap, remove the filter and rinse in a sink until it is free of residue, then return filter and cap. We recommend cleaning out the screen filters monthly.

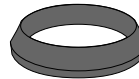


1 1/2" Drain Reducer (1)

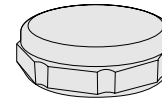
Slip Joint Fitting (1)



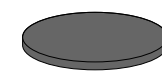
Slip Joint Gasket (1)



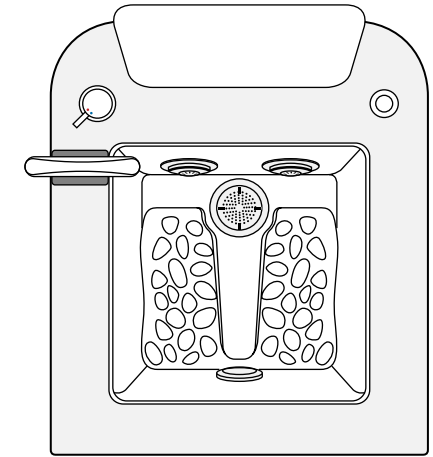
End Cap (1)



End Cap Gasket (1)



ThermaJet Tub (1)

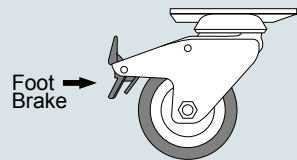


## Locking Casters

Your pedicure chair is mounted on four (4) casters/wheels. The two (2) locking casters are located at the rear of the chair.

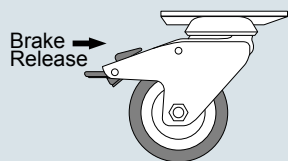
### Locking the Wheel

With your foot, press **DOWN** on the foot brake.



### Unlocking the Wheel

With your foot, push **FORWARD** on the brake release.

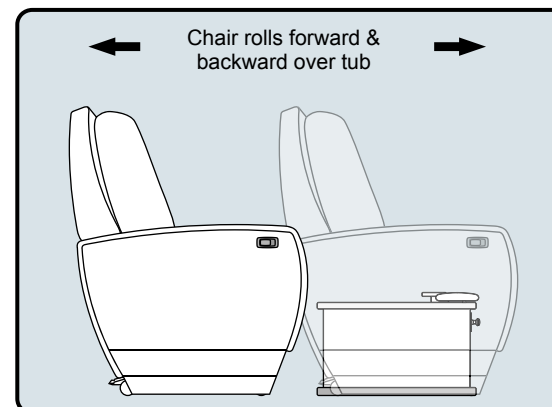


## Rolling the Chair

Your pedicure chair rolls smoothly back and forth over the top of the stationary pedicure tub. The locking casters only roll forward and backward, and do not swivel. Make sure that the chair lines up directly over the tub and rolls parallel to it. The chair comes equipped with HDPE tub guards to help protect both the chair and the tub when rolling the chair.

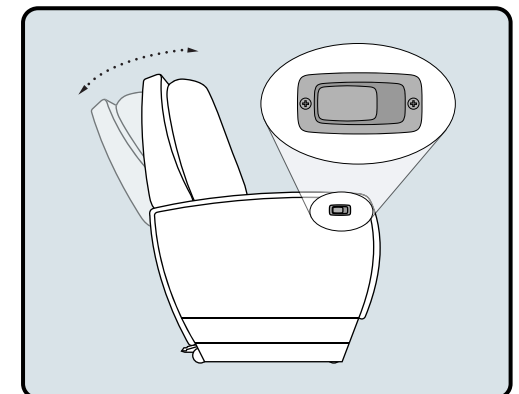


Be careful of pinch points when rolling the chair over the tub.



## Pneumatic Back Tilt (Optional)

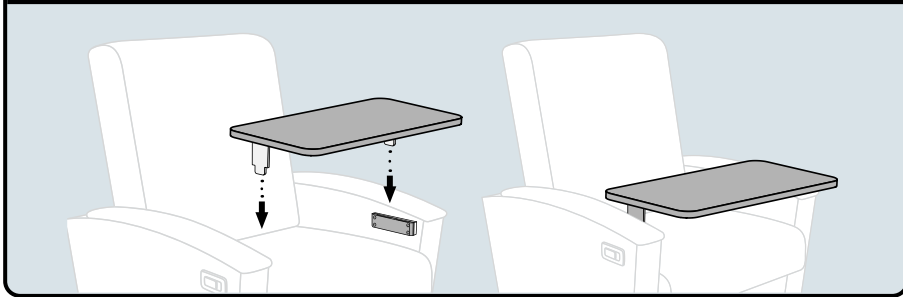
Pedicure chairs with pneumatic back tilt are controlled by a simple lever that allows you to adjust the back rest to the desired angle. Locate the lever on the front right side of the chair. While sitting in the chair, pull the lever outward and lean on the back rest until you are at the desired angle. Pulling the lever again without leaning on the back rest will send the back rest slowly to its original upright position.



## Removable Manicure Tray

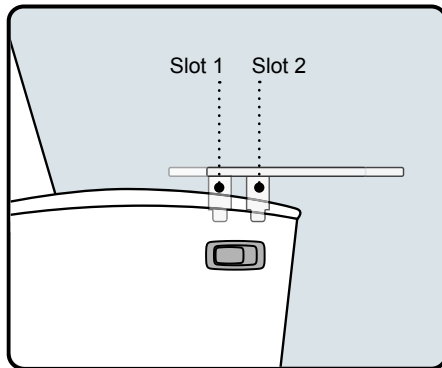
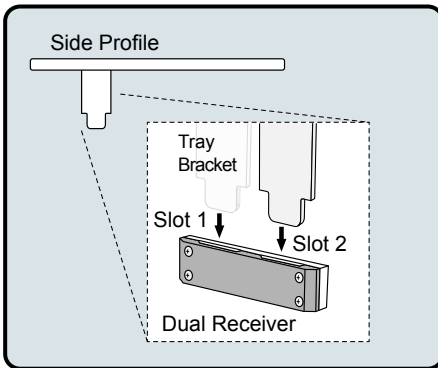
The removable manicure tray can be positioned into the armrests of the chair. The two (2) tray inserts slide straight down into the dual receivers. Keeping the tray level, lift the tray straight up to remove it from the chair.

**IF THE TRAY IS STUCK:** When removing the tray, make sure the tray is perfectly flat first, and then lift the tray equally on both sides near the bracket locations. If you lift one side higher than the other, the tray may get stuck and not come loose.



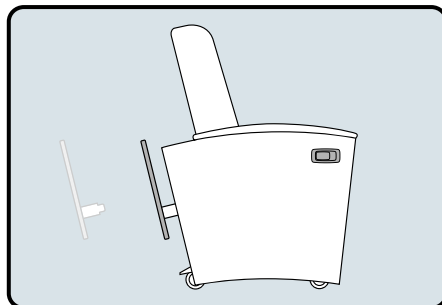
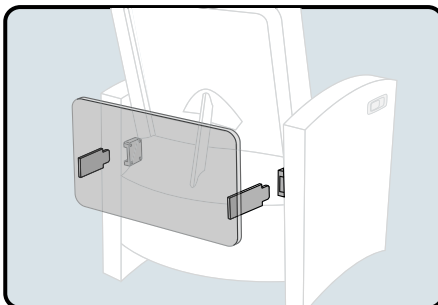
### Tray Positions

Each dual receiver has two (2) available slots that the tray brackets can be mounted into. Slot 1 mounts the tray closer to the client, and Slot 2 mounts the tray closer to the technician and provides more room for the client.



### Tray Storage

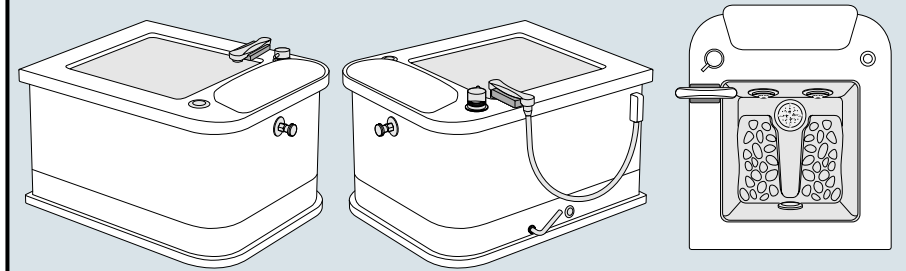
On the back side of the chair, there are 2 receiver slots to store the removable manicure tray when not in use. Hold the tray sideways with the inserts pointed toward the chair and insert the tray directly into the receiver slots. Ensure that the tray is pushed all the way into the receiver slots to prevent the tray from falling out and being damaged.



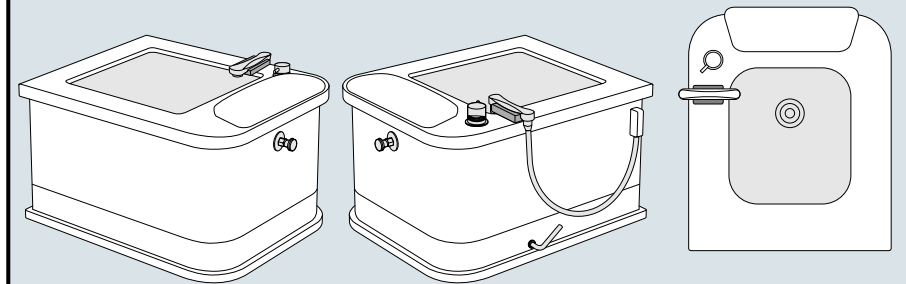
## Footbath Operation

The following descriptions, illustrations, and instructions will help you familiarize yourself with your ThermaJet or Stainless Steel tub, and guide you through each step of general operation.

### ThermaJet Footbath

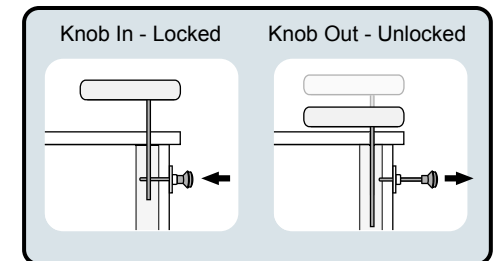


### Stainless Steel Footbath



### Adjustable Locking Footrest

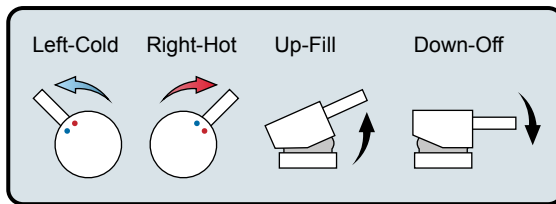
There are four (4) locking positions on the footrest. The footrest is controlled by the locking knob on the front of the tub. Pulling the knob will free the footrest to go up or down to the desired position. Releasing the knob will lock it in position.



Be careful of pinch points when adjusting the footrest.

### Water Fill Valve

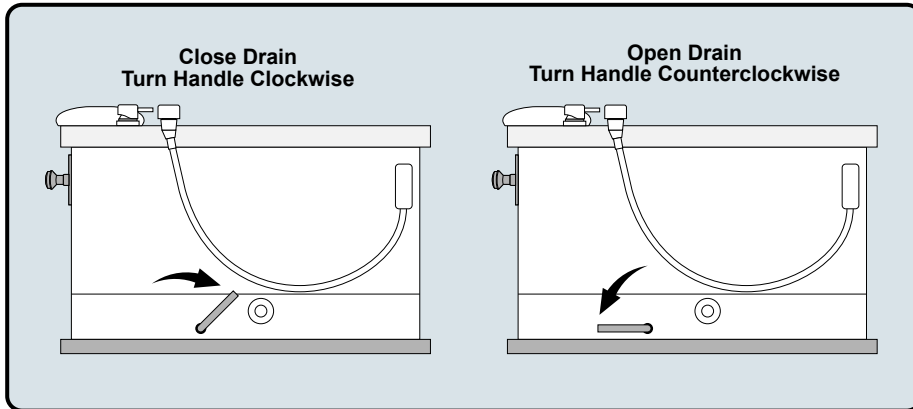
The water fill valve is OFF when pointing DOWN. Water disperses when you turn the valve UP. Hot water is dispersed when the valve is turned RIGHT. Cold water is dispersed when the valve is turned LEFT.



**CAUTION:** There is no automatic shut off with the water fill valve. You **MUST** turn the valve OFF after the tub is filled to prevent overflow and/or flooding. Do not walk away from the tub while it is filling with water.

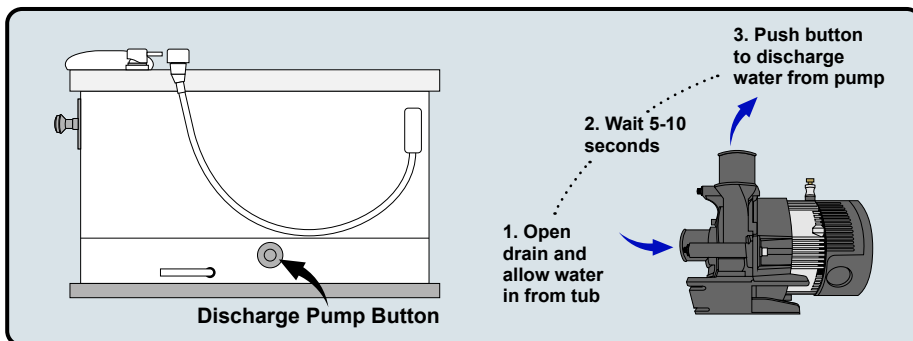
### Remote Drain Handle

The tub drain is controlled by the exterior remote drain handle on the lower left side of the tub. Pull the handle up and back (clockwise) to close the drain when filling the tub. Turn the handle down and flat (counterclockwise) to open the drain and empty the tub.



### Operating the Discharge Pump

The discharge pump is controlled by the button outside the tub next to the remote drain handle. Before pressing the discharge pump button to empty the tub, first open the drain with the remote drain handle and let the water start draining toward the pump. Wait approximately 5-10 seconds for the pump to register, and then push the discharge pump button. The following illustration shows how the button functions.

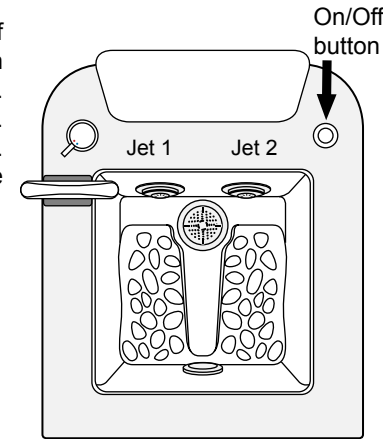
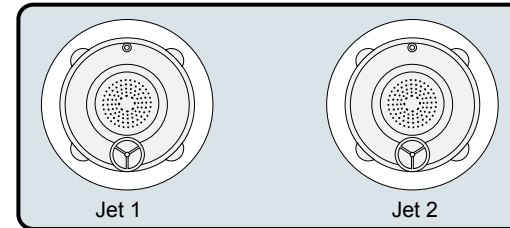


## ThermaJet™ Technology

Your ThermaJet tub features clean pipeless technology. Each jet is self-contained and draws in water and expels it back into the footbath without leaving the tub. The jets can be easily removed by hand, cleaned, and reattached in minutes.

### Pipeless Jets

Jets are controlled by the chrome On/Off button on top of the tub, next to the foot rest. Pressing the On/Off button once will start the jets and the LED light simultaneously. Pressing the button once again will turn the system Off. Turn the jets on only AFTER the tub is filled with water. When filled, a minimum of one inch of water must be above the level of the jets for proper functionality.



**WARNING:** Running the jets without filling the tub with water can damage or destroy the jets. Ensure that a minimum of one (1) inch of water is above the jets prior to use.

### ThermaJet Specifications:

- Material: Durable Gel Coat Surface with Structural Fiber Glass Reinforcement
- Operating Capacity: 4.5 Gallons (17 L)
- Water Flow Rate: 16 gallons per minute (53 L)
- Electrical: - 115V / 60Hz, 2 Amp, 4 foot power cord & NEMA 5-15 plug (Manufactured with UL Recognized Components, North America)
- Plumbing:
  - Supply Connections: ½" NPT (recommended)
  - Drain Outlet: 1 ½"

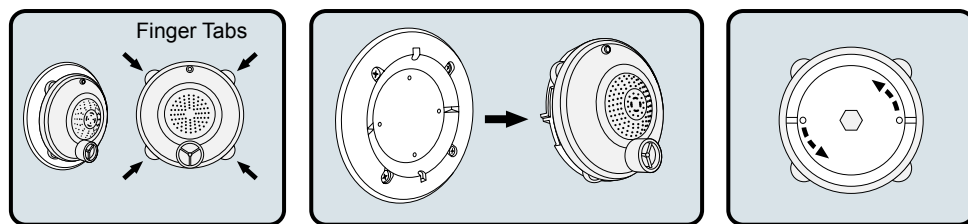
### Color Changing LED Light

The light inside the tub basin is also controlled by the same On/Off button which controls the jets. The random color rotation is programmed to the following color wheels in sequential order.



## Cleaning & Maintaining the Jets

Proper cleaning and maintenance of the jets should be conducted after every use to ensure longevity and proper functionality. Maintenance of the jets can be conducted in four (4) easy steps.



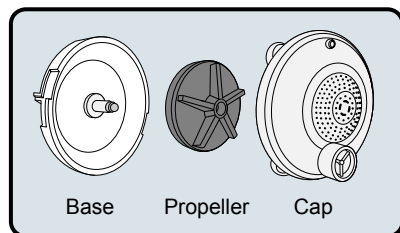
**1.**

Carefully separate the jet from the jet mount by pulling the chrome cap at the finger tab locations. This will separate the entire jet from its mount.

**2.**

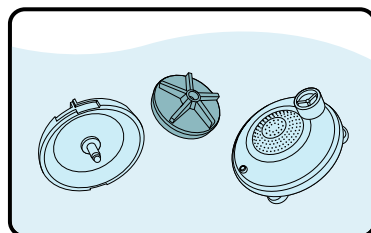
Flip the jet over and hold the chrome cap in place while rotating the plastic base counter-clockwise.

Locate the jet assembly within the tub basin, which is held to the jet mount magnetically. Observe the four (4) finger tabs.



**3.**

Carefully disassemble all three (3) components of the jet assembly and place them in a sink.

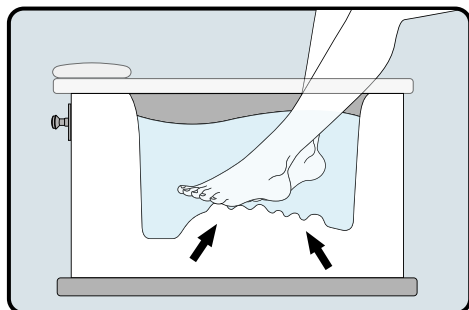


**4.**

Wash each component of the jet assembly separately with a non-abrasive cleanser to remove any visible residue or dirt. Rinse thoroughly with fresh water and let dry. Re-assemble the components of the jet assembly and insert back into its mount within the tub basin.

### Textured Foot Pebbles

Each foot space in the ThermaJet Tub is lined with soothing textured foot pebbles to give your feet a relaxed, massaging sensation.



## Cleaning & Maintaining the Foot Bath

To avoid dulling and scratching the surface of the ThermaJet or Stainless Steeltub basin, never use abrasive cleansers. A mild liquid detergent and warm water will clean soiled surfaces. To avoid discoloration, cleansers containing petroleum distillates must not remain on surfaces.

**WARNING:** Do not place nail care products on the Foot Bath.

**WARNING:** Extended exposure to chemicals can damage the basin, footpad and/or fabric. Failure to comply with these instructions can cause damage to the Foot Bath and void the warranty.

### Disinfection

- Spray the surface area of the jet assemblies and the basin thoroughly with an EPA-registered disinfectant.
- Allow disinfectant to remain on the surface for the required disinfection contact period (refer to manufacturer's specifications) then rinse surfaces with fresh water.

### Using Bath Additives

Provide an enhanced pedicure experience by adding essential oils, aromatherapy products and other non-abrasive products as all residue can be easily and completely removed. Your foot bath can be used with most foot and skin care products (exceptions noted below) provided the cleaning and disinfection protocols are followed.

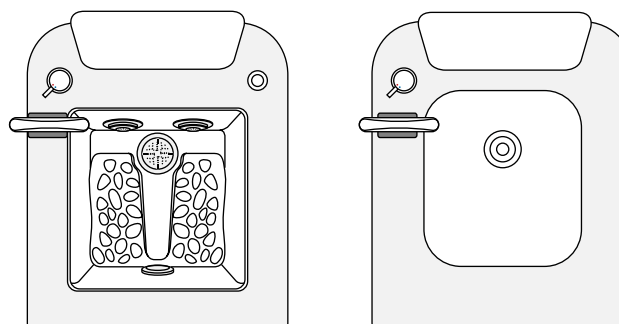
### Products NOT Recommended

- Silicate based bath additives / scrubs – may void warranty
- High foam agents (use only low foam solutions)
- Abrasive cleansers that might damage the basin or system components

If you have any questions on products to be used with your Foot Bath, please contact Our Customer Service Department at (800) 358-8292, or (760) 597-2155 Int'l.

### Ongoing Maintenance of Tub Basin

- Clean with a mild liquid detergent and warm water solution. Environmentally safe (green) cleaners are always recommended.
- To avoid discoloration, cleaners containing petroleum distillates must not remain on the surface.
- To avoid scratching and dulling of the surface, never use abrasive cleaners.
- Major scratches and gouges will require professional refinishing.

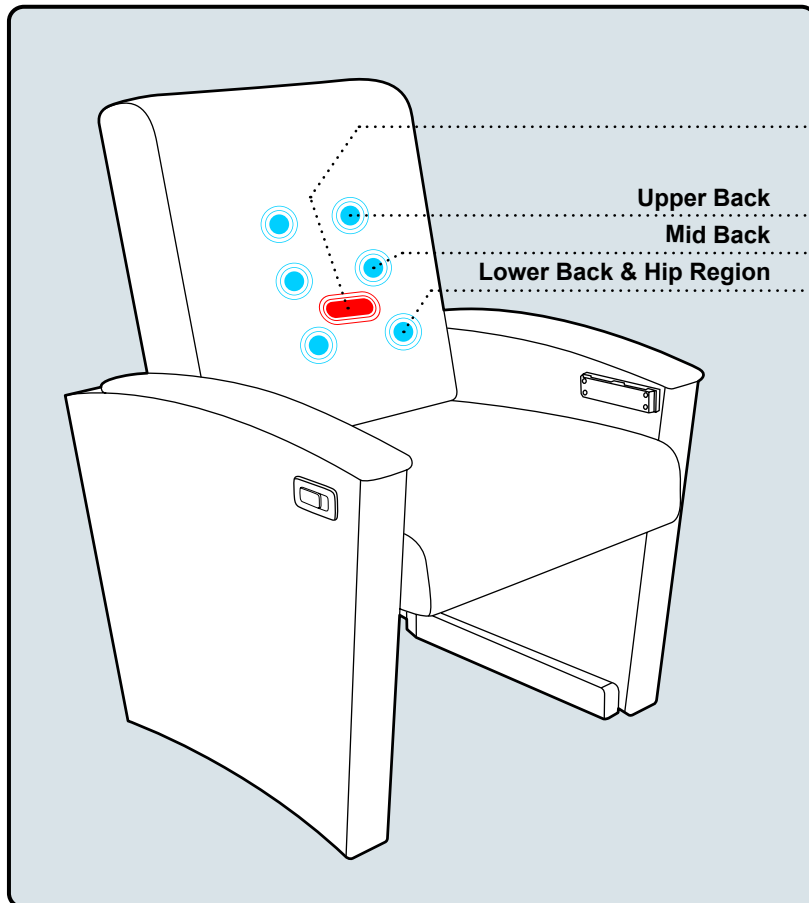




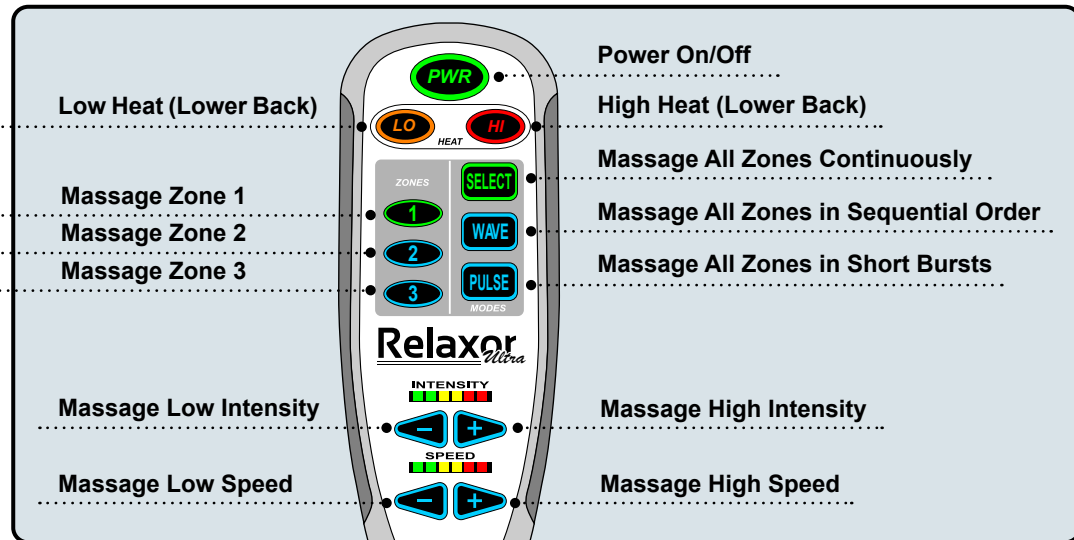
## Heat & Massage (Optional)

Pedicure chairs purchased with the heat and massage option come equipped with the Relaxor® Ultra digital hand control system. The following diagram illustrates the ease of use and functionality that the Relaxor® Ultra system provides. Below are the definitions listed for each button setting and how they pertain to the heat and massage locations on the back rest.

### Heat & Massage Locations



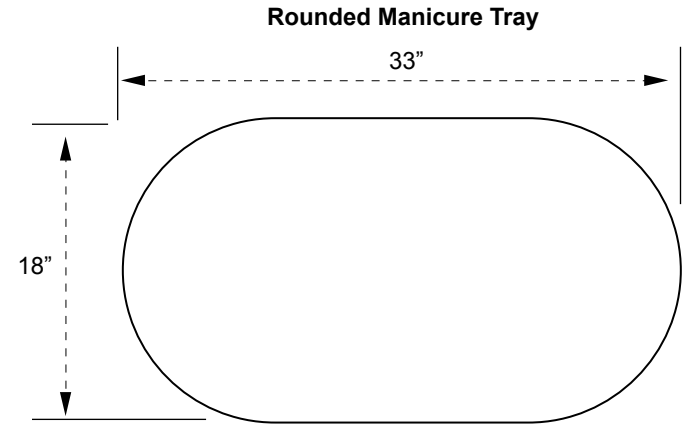
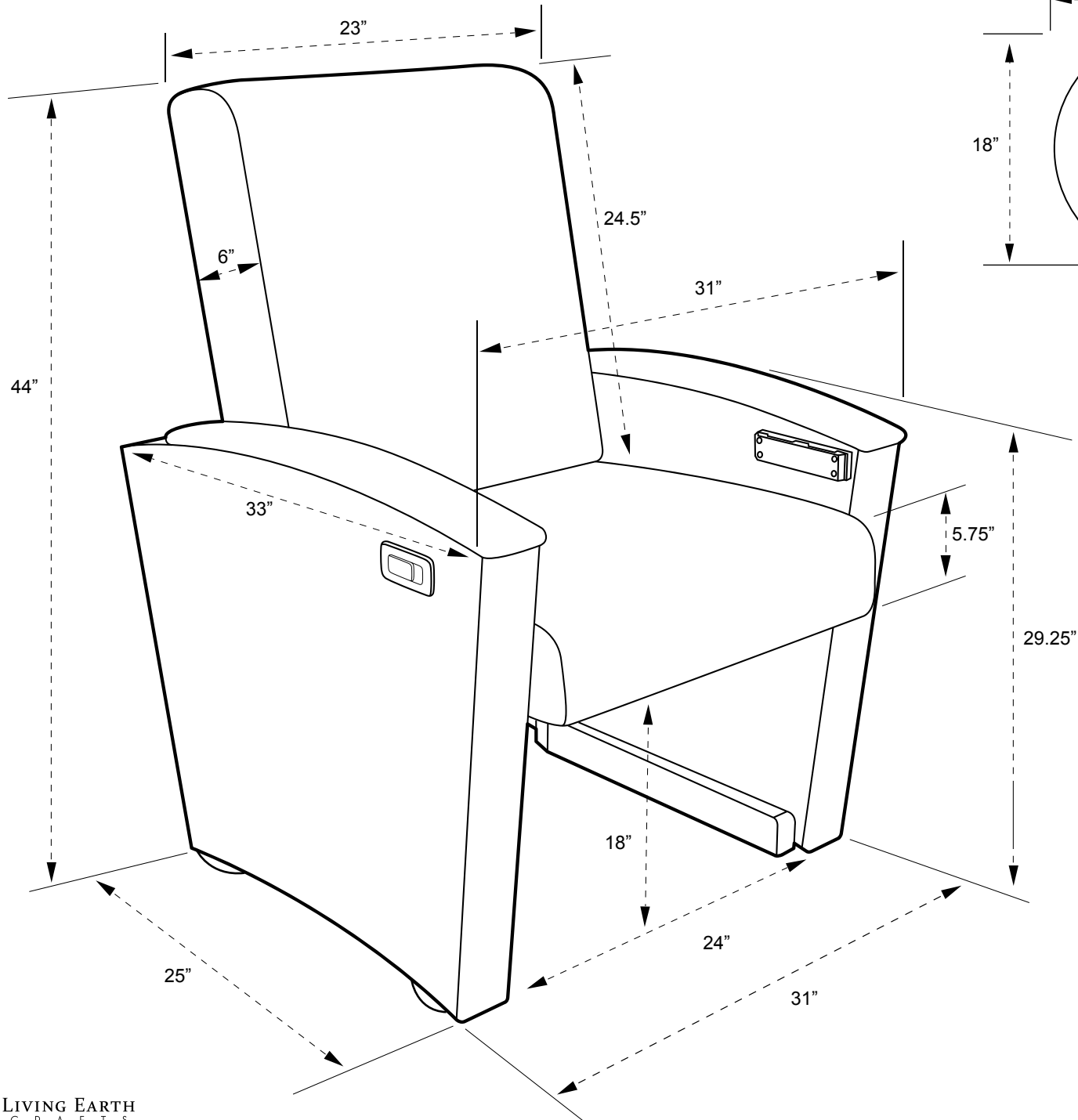
### Relaxor® Ultra - Hand Control



Keep hand control and all electrical components away from water.

Symbol	Description
	• Massage 15 Minute Timer (Standard)
	• Massage 30 Minute Timer (Hold Down Button)
	• Location of Heat
	• Locations of Massage
<b>Green Light</b>	• Indicates Active Button
<b>Blue Light</b>	• Indicates Normal Standby
<b>Red Light</b>	• Indicates High Mode
<b>Orange Light</b>	• Indicates Low Mode

**Technical Diagram**  
Chair Detail



## Technical Diagram

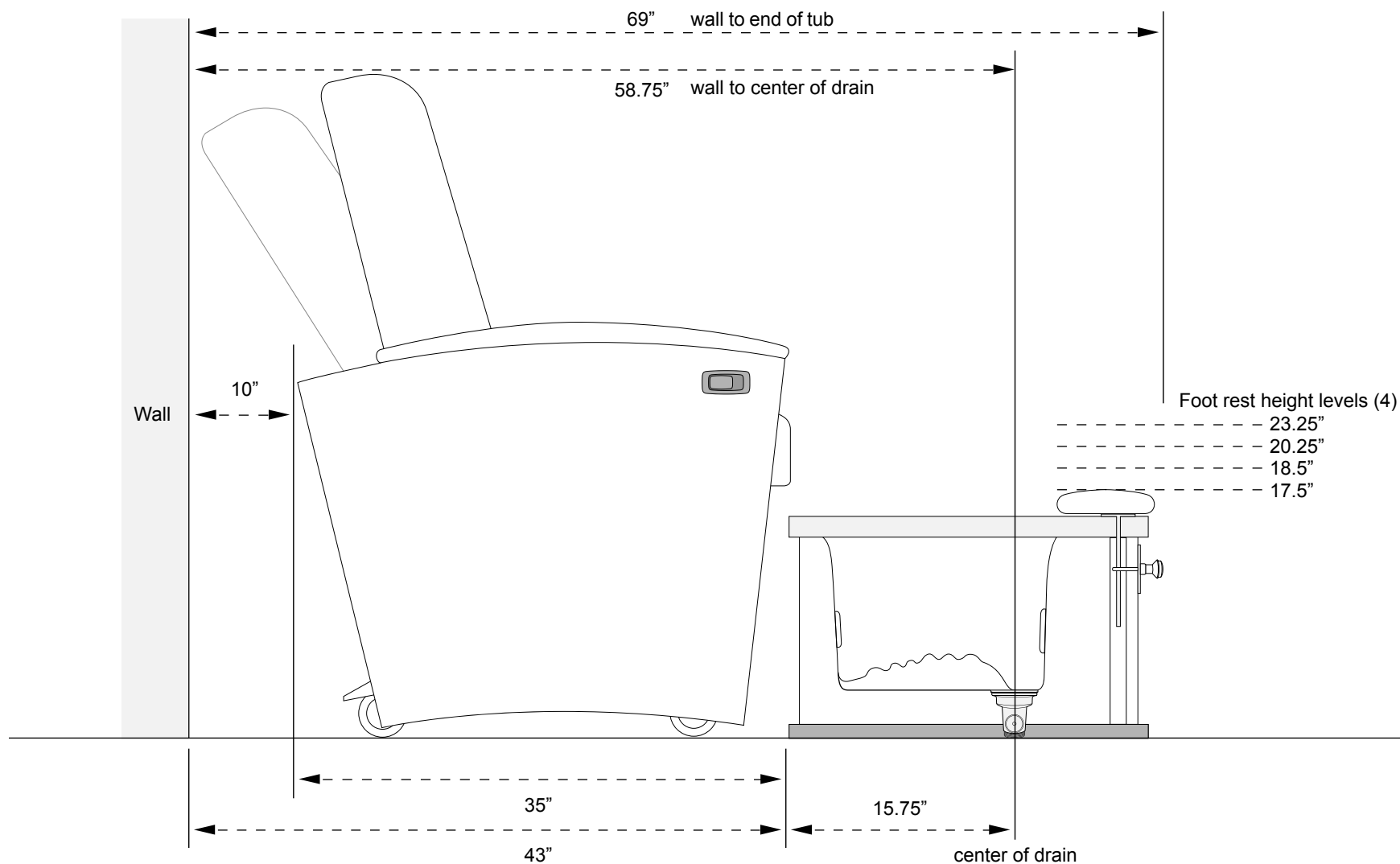
### Footprint Recommendation for Mystia with ThermaJet Foot Bath

THE FOLLOWING TECHNICAL DIAGRAMS SHOULD BE GIVEN TO YOUR ENGINEERS, ARCHITECTS, DESIGNERS, ELECTRICIANS & PLUMBERS.

Failure to comply with federal, state, or local codes and ordinances could result in the voiding of product warranty as well as potential injury and flooding. A licensed plumber should make all utility connections. All plumbing connections must conform to local codes. Water temperature/pressure should not exceed local regulations.

The following footprint establishes the **MINIMUM** recommendations.

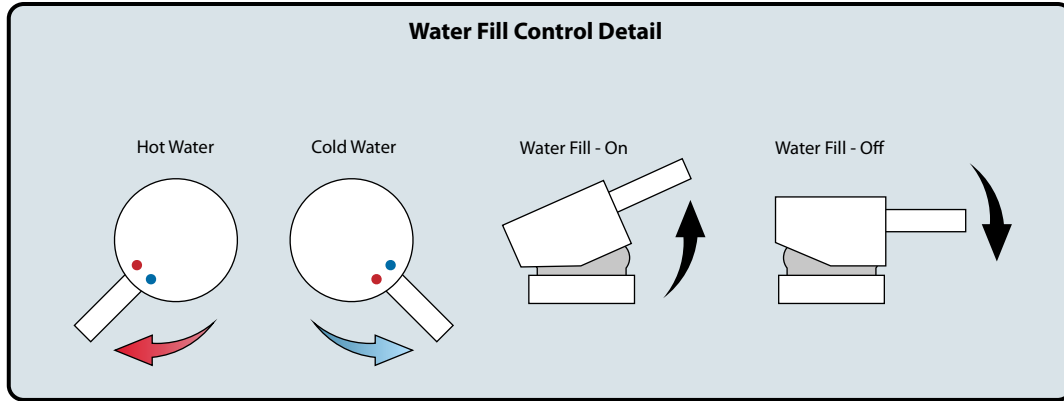
- The center of the drain should be a minimum of 58.75" from the wall
- If your chair has back tilt, a minimum of 10" should be between the wall and the back of the chair when upright which will allow the chair to tilt back to its farthest point.



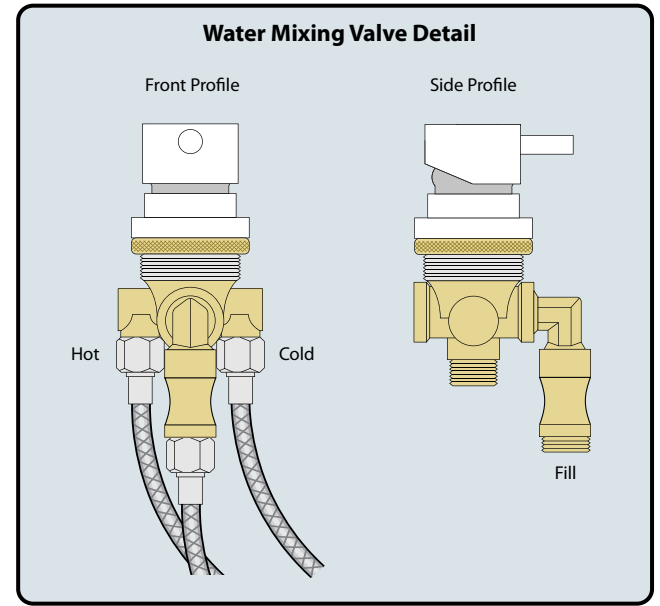
# Technical Diagram

## ThermaJet Foot Bath Detail

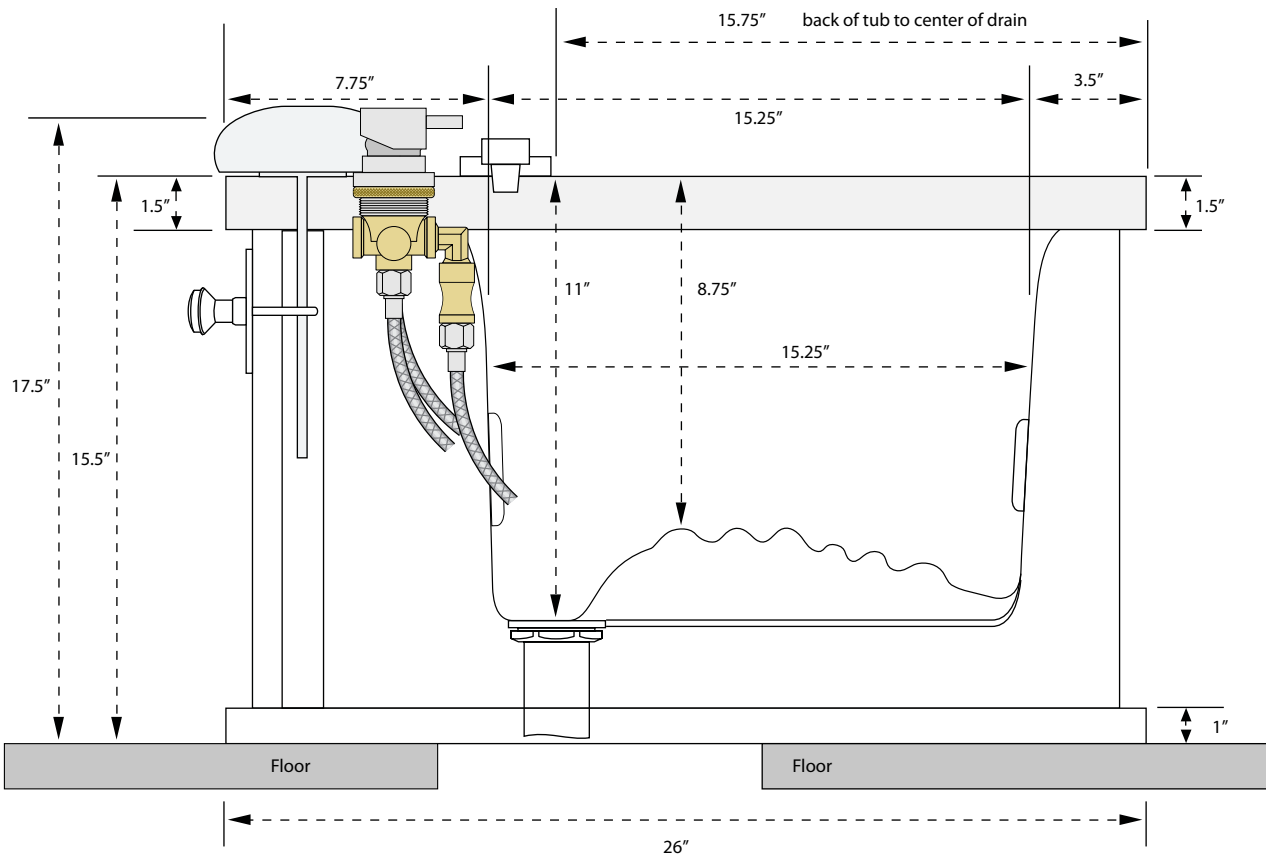
### Water Fill Control Detail



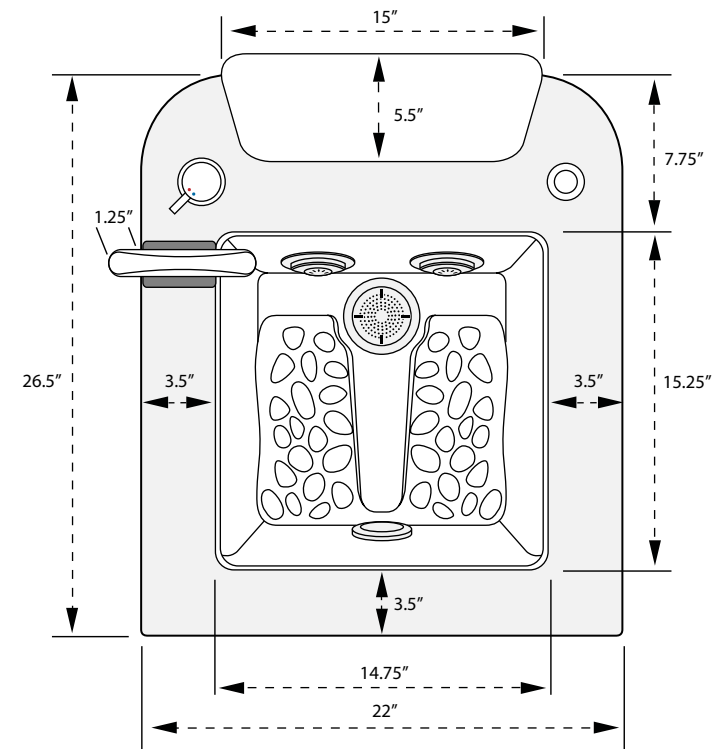
### Water Mixing Valve Detail



### Side Dimensions



### Overhead Dimensions



## Technical Diagram

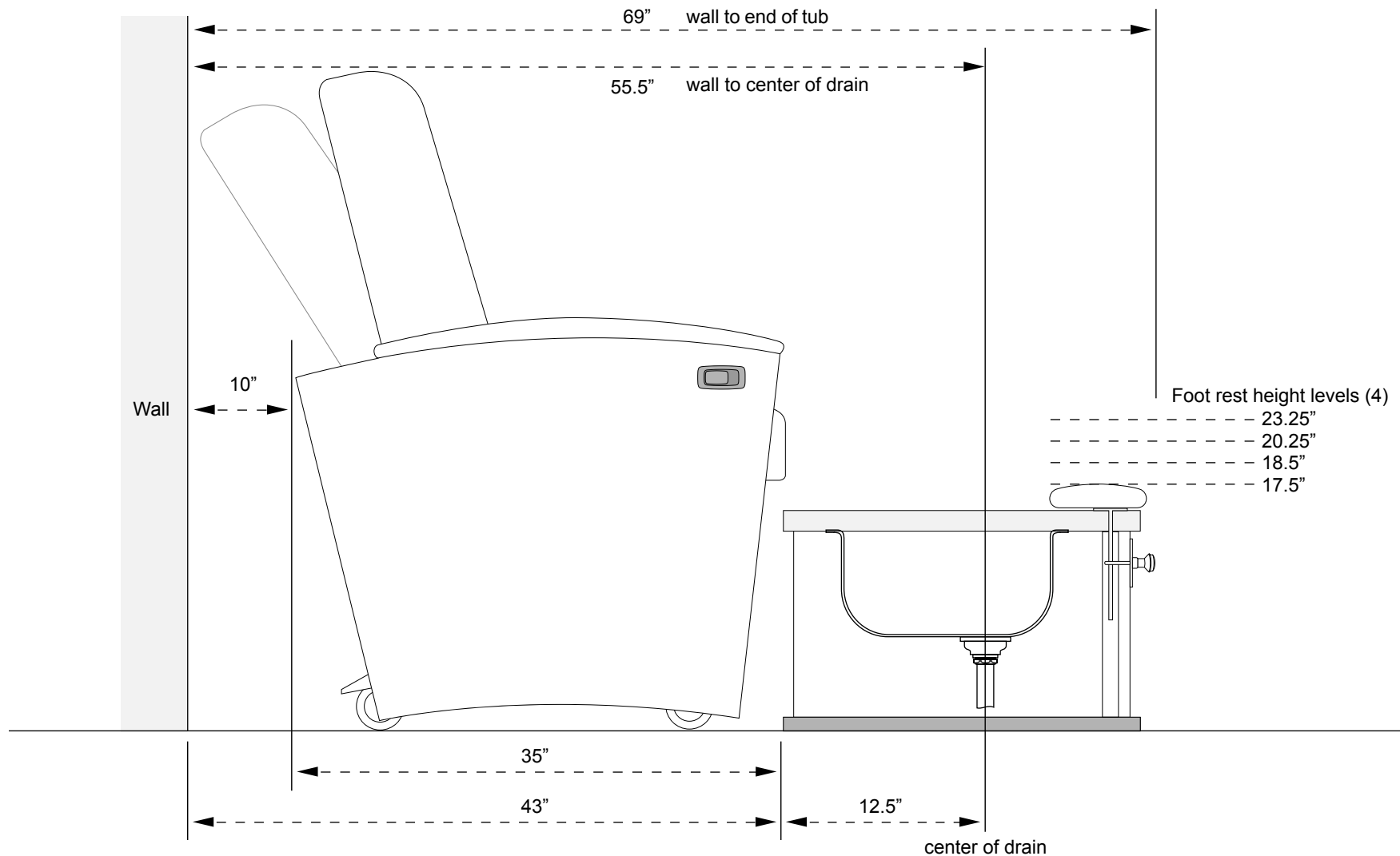
### Footprint Recommendation for Mystia with Stainless Steel Foot Bath

THE FOLLOWING TECHNICAL DIAGRAMS SHOULD BE GIVEN TO YOUR ENGINEERS, ARCHITECTS, DESIGNERS, ELECTRICIANS & PLUMBERS.

Failure to comply with federal, state, or local codes and ordinances could result in the voiding of product warranty as well as potential injury and flooding. A licensed plumber should make all utility connections. All plumbing connections must conform to local codes. Water temperature/pressure should not exceed local regulations.

The following footprint establishes the **MINIMUM** recommendations.

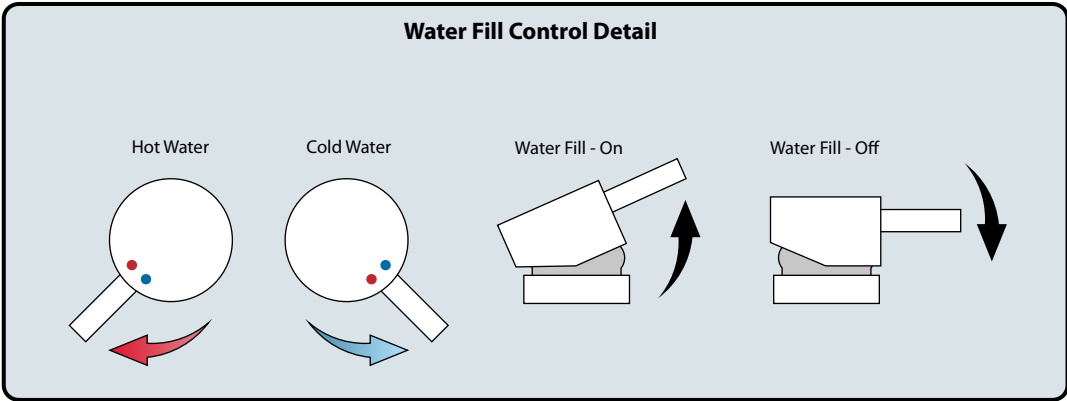
- The center of the drain should be a minimum of 55.5" from the wall
- If your chair has back tilt, a minimum of 10" should be between the wall and the back of the chair when upright which will allow the chair to tilt back to its farthest point.



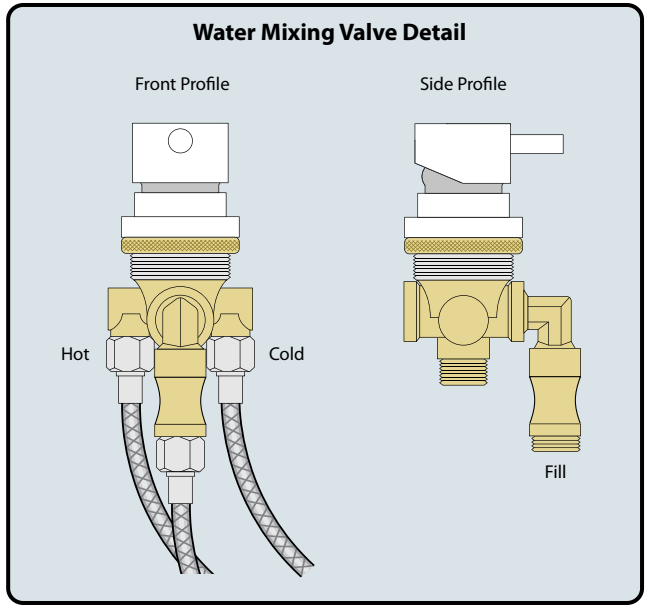
# Technical Diagram

## Stainless Steel Foot Bath Detail

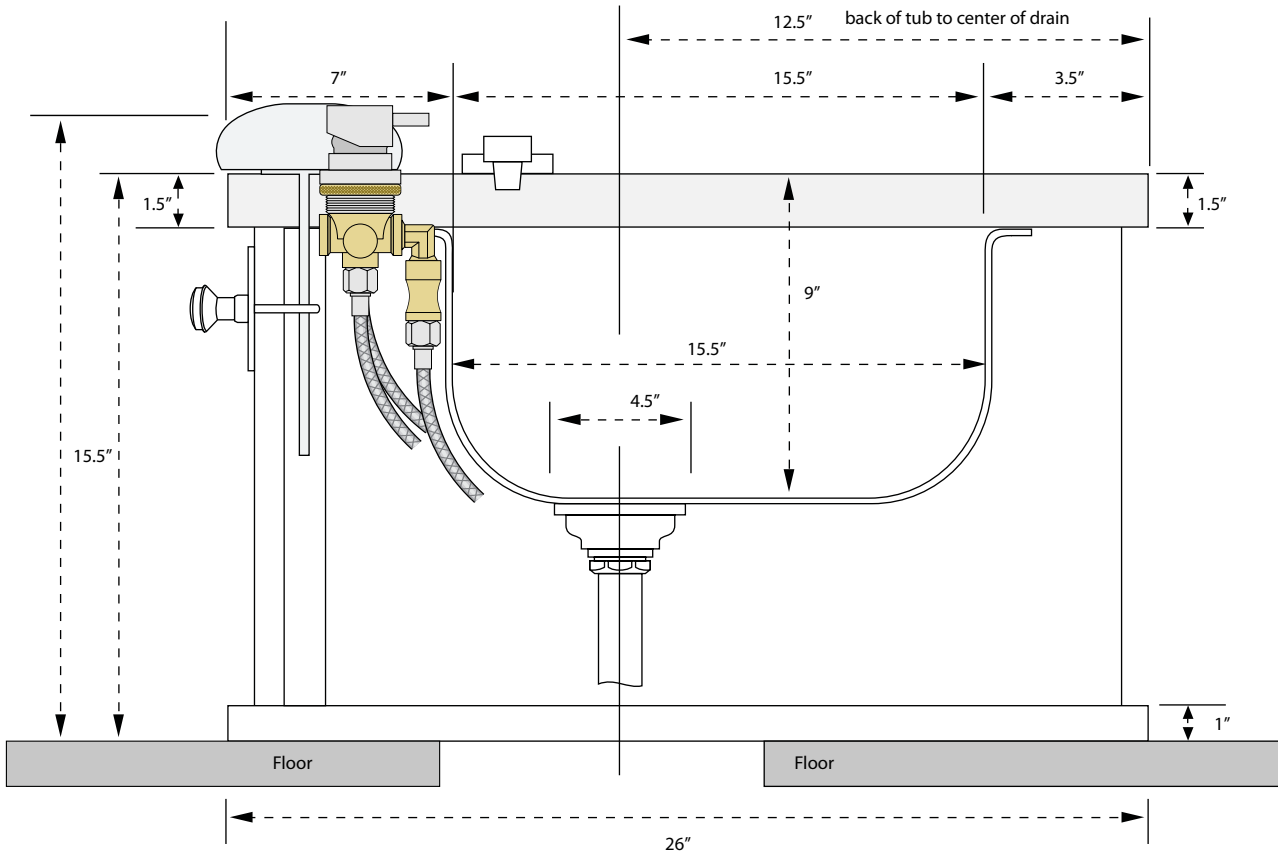
### Water Fill Control Detail



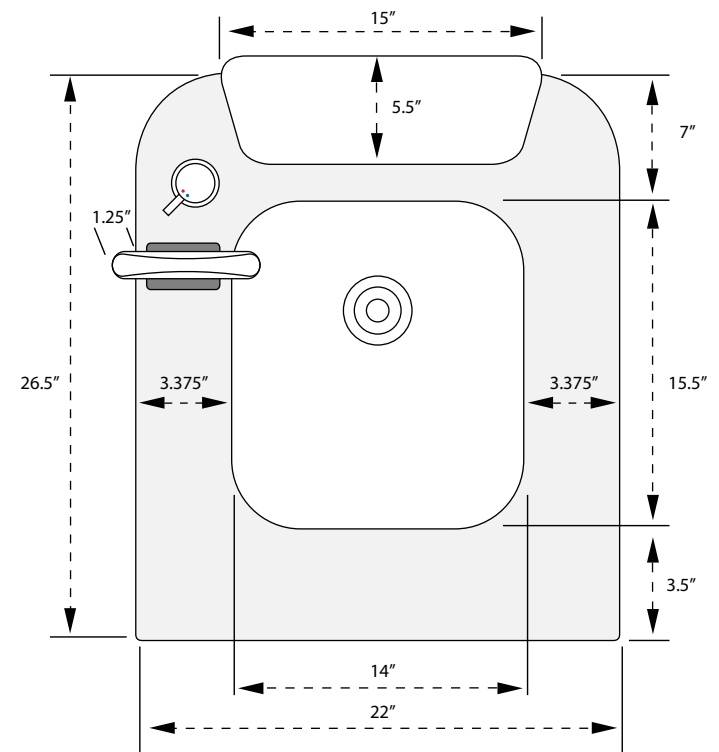
### Water Mixing Valve Detail



### Side Dimensions



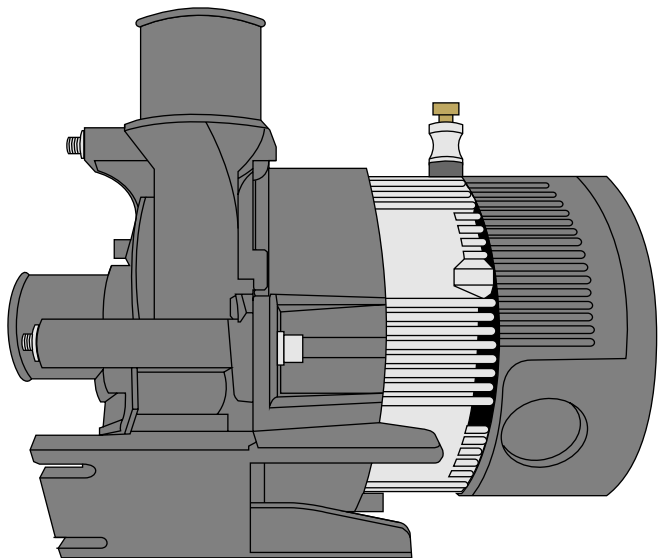
### Overhead Dimensions



## Technical Diagram

### Discharge Pump Detail

If your ThermaJet tub was ordered with a discharge pump, the following information applies to the pump detail.



#### AC/DC/AC Electronically Commutated Spherical Motor (ECM) Centrifugal Pump

##### Specifications

- Capacities: 14 GPM
- Max Head: 20"
- Pipe Connections:
  - .75" and 1" Barb Suction and Discharge
  - .75" MPT Suction and Discharge
- Maximum Working Pressure: 50 PSI
- Maximum Temperature: 140° F
- Rotation: counterclockwise when viewed from the motor end

##### Features

- Compact Design
- Close coupled, space-saving design provides easy installation.
- The pump weighs less than 4 lbs.

##### Mounting

- Pump can be mounted horizontally or vertically with motor end down.
- Thermoplastic integrated pump bracket is adjustable to four (4) different discharge angles.

##### Motor

- Electronically Commutated AC/DC/AC Spherical Motor
- Canned Spherical Type Motor
- 115 Volt 62 Watts 50/60 Hz, 3100 RPM
- 230 Volt 71 Watts 50/60 Hz, 3200 RPM
- Automatic Overload Protection

##### Motor Bracket

Thermoplastic motor bracket is adjustable to four (4) different discharge angles.

##### Construction

Available in 316SS fitted thermoplastic or Titanium fitted thermoplastic.

##### Ceramic Bearing Ball and Carbon Bearing Cap

High-density ceramic bearing ball and graphite impeller bearing cap designed for high efficiency and long life.

##### Impeller

Highly efficient, clog-resistant open impeller is dynamically balanced with carbon bearing for smooth ultra quiet operation.

##### Casing

Casing is volute type thermoplastic construction.

##### Mechanical Seal

Unique patented design has no mechanical seal (which is a potential leak path).

##### Motor

Highly efficient and ultra-quiet spherical motor design. Pump is designed for continuous operation. All ratings are within working limits of the motor.

##### Electronics

Embedded microprocessor control is self protected against dry run conditions. Available with variable speed with PWM input or dial control (potentiometer) on the pump.

##### Noise level

Whisper-quiet; less than 40 db.

##### Weight

Lightweight construction; weighs less than 4lbs.

## Standard Care & Maintenance

Perform the following steps as needed for basic maintenance on your pedicure chair and optional accessories. Perform the basic maintenance recommendations for upholstery between client treatments.

Category	Recommendation	Application
<b>Upholstery</b>	Remove day-to-day dirt with a mild soap and warm water solution. For tough stains and to disinfect, use a 15:1 water to bleach solution. Always rinse surface with clean water, and then gently wipe the upholstery. Allow upholstery to air dry before using or storing. Do NOT use Armor All® or citrus-based cleansers. For best results, use only the products suggested above. Alternative cleansing methods may cause serious damage to your table. Such damage would not be covered under the Earthlite warranty program.	<ul style="list-style-type: none"> <li>• Chair, Armrests &amp; Footrest</li> <li>• Salon Pillow</li> <li>• Bolsters</li> </ul>
<b>Laminate &amp; Avonite Surfaces</b>	Never use abrasive cleansers. A mild liquid detergent and warm water will clean soiled surfaces. To avoid discoloration, cleansers containing petroleum distillates must not remain on surfaces.	<ul style="list-style-type: none"> <li>• Avonite Surfaces</li> <li>• Wood Laminate Surfaces</li> <li>• HDPE Surfaces</li> </ul>
<b>Electronic Components</b>	Anti-static electronic aerosol dusters can be used to keep the surfaces of electronic components, power cables, and plugs free of dust.	<ul style="list-style-type: none"> <li>• Hand Controls</li> <li>• Power Cables</li> <li>• Plugs</li> </ul>
<b>Lubrication &amp; Mechanical</b>	If necessary, lubricate wheel joints, casters, foot glide levelers, ball joints, and other mechanical parts with a light machine oil. Periodically check and ensure all visible bolts remain tightened.	<ul style="list-style-type: none"> <li>• Wheel Joints</li> <li>• Casters</li> <li>• Dual Receivers</li> <li>• Pneumatic Shock</li> </ul>

## Troubleshooting

This helpful troubleshooting guide will provide you with information about how to recognize a problem with the pedicure chair or tub, determine possible causes, and find a solution. In the event your specific situation is not covered in this guide, please contact Living Earth Crafts so our technical support department can assist you.

Living Earth Crafts Customer Service (800) 358-8292, (760) 597-2155 (Int'l)

Problem	Probable Cause	Solution
<b>Not Operating</b>	<ul style="list-style-type: none"> <li>• Power cord might be improperly plugged in</li> <li>• Circuit breakers might need to be reset, or fuses might need to be replaced</li> </ul>	<ul style="list-style-type: none"> <li>• Ensure switch box power cord is properly plugged into an operational 115 VAC, GFCI power supply</li> <li>• Check GFCI reset and circuit breakers or fuses</li> </ul>
<b>Excessive Noise</b>	<ul style="list-style-type: none"> <li>• Possible buildup of dirt or residue has accumulated inside the jets</li> <li>• Jets have not been cleaned properly</li> </ul>	<ul style="list-style-type: none"> <li>• Remove jet assembly and inspect for dirt buildup, debris or damage</li> <li>• Follow cleaning instructions or replace if necessary</li> </ul>
<b>Water Leakage</b>	<ul style="list-style-type: none"> <li>• Possible seal has broken</li> <li>• Possible tub overflow</li> </ul>	<ul style="list-style-type: none"> <li>• Call a plumber to determine the source of the leak</li> <li>• If the leak is from the pipeless jet system, contact Living Earth Crafts customer service</li> <li>• Check and ensure all visible bolts are tightened</li> </ul>



## Lifetime Limited Warranty

Living Earth Crafts (LEC) offers an industry best one (1) year warranty, worldwide, on all Mystia™ Chairs and accessories. Foam & upholstery covering are warranted for three (3) years. Hydraulic systems, motors, controls and actuators are warranted for two (2) years, including parts and labor. Accessories and options are warranted for one (1) year, unless otherwise noted. LEC may repair or replace defective components at our discretion. LEC will return the warranted product, standard shipping pre-paid, to customers in the continental US. International customers are responsible for any applicable duties and taxes, as well as all shipping charges inbound and outbound. Normal wear and tear, and costs associated with maintenance procedures, and damage caused by accident, misuse, improper maintenance, harsh operating environments or neglect (which includes tears in the upholstery and damage caused by harsh chemical-based cleaners) are not covered under this warranty. All warranties are limited to repair or replacement, at LEC's discretion, unless otherwise stated.

